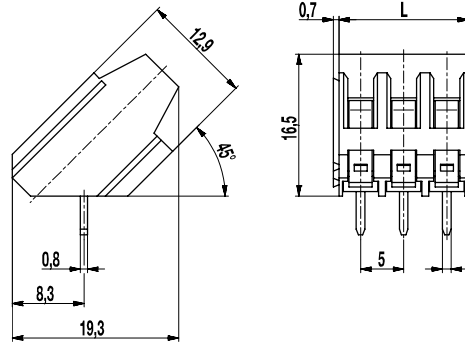
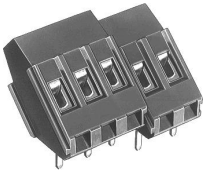


150-C-111

PCB connector

Screw connection diagonal 45° to PCB, interlocking, with test holes



GENERAL INFORMATION

| | |
|--------------|-------|
| Pitch | 5 mm |
| No. of poles | 2 + 3 |

TECHNICAL DATA

| | | | |
|--------------------------|---|-------|-------|
| Clamping Range | solid / stranded / AWG | | |
| | 0,14 - 4 mm ² / 0,14 - 2,5 mm ² / 26 - 14 AWG | | |
| Rated Cross Section | 2,5 mm ² | | |
| Wire Stripping Length | 7,5 mm ± 0,5 mm | | |
| Overvoltage Category | III | III | II |
| Pollution Severity Level | 3 | 2 | 2 |
| Rated Voltage | 250 V | 320 V | 630 V |
| Rated Impulse Voltage | 4 kV | 4 kV | 4 kV |
| Rated Insulation Voltage | 250 V acc. to EN 60998-1 | | |
| Rated Current | 24 A | | |
| Hole in PCB | ø 1,3 mm | | |
| Torque | 0,5 Nm | | |

APPROVALS

| | Current [A] | Voltage [V] | Group | AWG | [Nm] |
|--|-------------|-------------|-------|---------|----------|
| | 20 | 300 | B | 22 - 10 | 0,51 [1] |
| | 10 | 300 | D | 22 - 10 | 0,51 |
| | 20 | 300 | B | 26 - 10 | 0,51 |
| | 10 | 300 | D, E | 26 - 10 | 0,51 |

CONFIGURATIONS

| Poles | Part number | Article number | Length (L) | Packaging | PU |
|-------|--------------|----------------|------------|-----------|-----|
| 2 | 150-C-111/02 | 10.801.022 | 10,00 mm | Box | 200 |
| 3 | 150-C-111/03 | 10.801.023 | 15,00 mm | Box | 200 |

MATERIAL

| | |
|----------------------------|--|
| Moulding | PA, grey, V-0 |
| Comparative Tracking Index | CTI ≥ 600 |
| Insulating Group | I |
| Temperature Range | -40°C up to 100°C |
| Terminal body | Nickel plated brass |
| Pressure clamp | Copper alloy, tin plated |
| Screw | M3; zinc plated steel, blue passivated |
| Solder pin | 1,0 x 0,8 mm; copper alloy, tin plated |

OPTIONS / ACCESSORIES

- Consecutive numbering
- Special marking according to drawing
- Self-adhesive marking strip BST-5,00
- Pitch of 10 mm for larger clearance and creepage distances
- Can be fitted together to larger pole numbers

[1] Wire sizes No. 26 - 24 AWG and 20 A max for factory-wiring only

